

Cartridge Housings

(Polypropylene Type / Stainless Steel Type)

Extra large size housings for ultra high flow rate applications



- AstroPore Cartridge Housings for extra large filters suitable for 8th- to 10th-generation LCD panels.
- Two housing options are available.
Polypropylene: For general purpose
Stainless steel: For high-pressure lines

AstroPore extra large housings correspond to extra high flow rate processes (up to 300 liters/min.).
 The housings are specially designed to optimize the performance of extra large size filters.

FS6LJM 1-1 50 FET 1


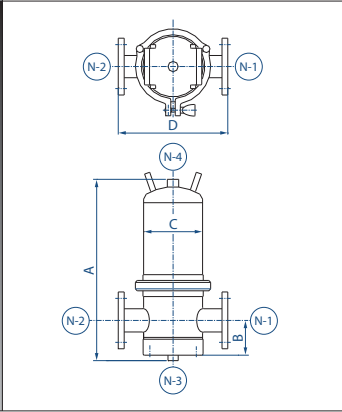
Stainless steel housing

- Designed for both solid construction and simple operation a high pressure resistance with weight saving is realized.

Specific Features

Schematic diagram: Shown below
 Joint diameter: 50A JIS 10K FF Drawn as N-1 and N-2.
 Air vent and Drain hole diameter: RC 1/2 Drawn as N-3 (Air vent) and N-4 (Drain hole) respectively.
 Pressure resistance: 0.97MPa
 Maximum operating temperature: Below 100°C
 Materials: Housing body : SUS316L
 O-rings: EPR (ethylene-propylene rubber)

A	(mm)	495
B	(mm)	95
C	(mm)	161 (external diameter)
D	(mm)	300

Flow Rate Characteristics (stainless steel housing)

